

### Montageanweisung / Instruction sheet

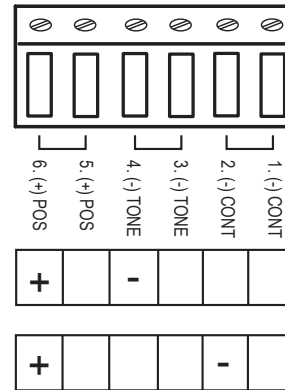
**ACHTUNG:** Schalten Sie den Strom während der Installation oder bei Wartungsarbeiten ab um einen elektrischen Schlag zu vermeiden. Prüfen Sie die Spannung und Frequenz der Stromquelle.

**ATTENTION:** Disconnect from power source to prevent electrical shock before installing or servicing. Check power supply voltage and frequency.

#### Technische Daten / Technical Data

Versorgungsspannung / nominal voltage	18 - 35 VDC
Nennstrom / nominal current	37 mA @ 24 VDC
Schutzart / Ingress protection	IP65
Schalldruck / sound level	Max. 109 dB
Lautstärkeregelung / volume control	-20 dB
Blinkfrequenz / flash rate	~ 1Hz
Temperaturbereich / temperature range	-20°C .. +70°

#### Elektrischer Anschluss / Electrical connection

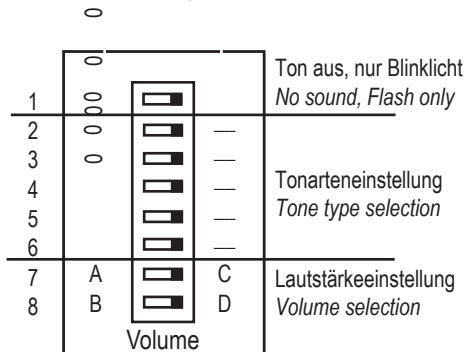


Intern verbunden / Internal connected

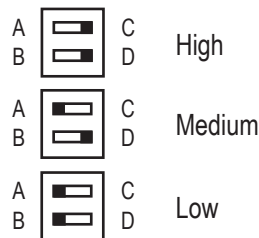
1. Tonart / 1. stage alarm

2. Tonart / 2. stage alarm

#### Tonarteneinstellung / Tone type selection

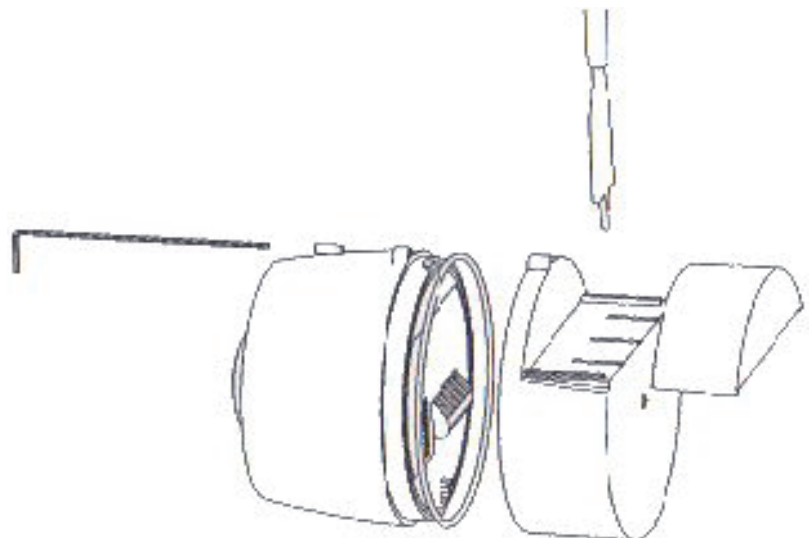


#### Lautstärkeeinstellung / Volume selection



#### Gehäuse für IP65 / Housing for IP65

Inbusschlüssel wird nicht mitgeliefert  
Allen key not supplied.



Bohrschablone auf Anfrage oder downloadbar auf Auer Webseite

Drilling template on request or downloadable on Auer Website

## Tontabelle / Tone table

Nr.	Sound	Tone frequency	DIP-switch	2nd stage alarm (Hz)
1	LF Sweep	800 - 1000Hz @ 0.5 sec	1 1 1 1 1	800 cont
2	Alternative warble BS standard	800/960Hz @ 2Hz	1 1 1 1 0	800 cont
3	Warble Tone BS standard	800/1000Hz @ 0.5 sec	1 1 1 0 1	800 cont
4	Alternative warble BS standard	500/600Hz @ 2Hz	1 1 1 0 0	500 cont
5	HF Back up interrupted tone	2800Hz @ 1.0 sec on/off	1 1 0 1 1	2800 cont
6	LF Back up Alarm	800Hz @ 150 msec on/off	1 1 0 1 0	800 cont
7	HF Back up interrupted tone - fast	2800Hz @ 150 msec on/off	1 1 0 0 1	800 cont
8	LF Continuous tone BS5839	800Hz cont	1 1 0 0 0	Same tone
9	Sweep tone ( 1Hz)	800/900Hz @ 1Hz	1 0 1 1 1	800 cont
10	Australian slow whoop	Intermittent 970Hz 0.625ms on/0.625ms off	1 0 1 1 0	500-1200
				3.75 sec on 0.25 sec off
11	Dutch sweep tone	970Hz cont	1 0 1 0 1	500-1200
				3.5 sec on 0.5 sec off
12	Analogue sweep tone	500/600Hz @ 2Hz	1 0 1 0 0	500 cont
13	Sweep tone (3Hz)	800/970Hz @ 3Hz	1 0 0 1 1	800 cont
14	Alternate HF slow sweep	2350/2900Hz @ 3Hz	1 0 0 1 0	2400 cont
15	Fast HF sweep	2400-2800Hz @ 7Hz	1 0 0 0 1	2400 cont
16	US Temporal Pattern LF	950Hz for 0.5 sec on 0.5 sec offx3 then 1.5 sec then repeat	1 0 0 0 0	800 cont
17	Interrupted tone BS standard	Interrupted tne 800Hz @ 0.5 sec on/off	0 1 1 1 1	800 cont
18	ISO 8201 LF BS5839 Pt 1 1988	Intermittent 970Hz 500ms on/500ms off	0 1 1 1 0	Same tone
19	Interrupted tone medium	1000Hz @ 0.25 sec on/off	0 1 1 0 1	800 cont
20	ISO8201 HF	Intermittent 970Hz 500 ms on /500 ms off	0 1 1 0 0	Same tone
21	Continuous tone	1000Hz continuous	0 1 0 1 1	Same tone
22	LF Buzz	800-950Hz swept @ 110Hz	0 1 0 1 0	800 cont
23	HF Continuous	2800Hz	0 1 0 0 1	2800 cont
24	Sweep tone (9Hz)	800-970Hz @ 9Hz	0 1 0 0 0	800 cont
25	German DIN tone	Sweep 1200-500Hz @ 1Hz	0 0 1 1 1	800 cont
26	Swedish Fire signal	Intermittent 660Hz 150 ms on / 150 ms off	0 0 1 1 0	Same tone
27	French tone AFNOR	554Hz for 100 ms and 440Hz for 400ms	0 0 1 0 1	800 cont
28	Swedish all clear signal	Continuous 660Hz	0 0 1 0 0	Same tone
29	US Temporal Pattern HF	2900Hz for 0.5 sec on 0.5 offx3, off for 1.5 sec then repeat	0 0 0 1 1	2900 cont
30	Siren 2 way ramp (short)	500/1200Hz rising then falling 0.25 sec	0 0 0 1 0	800 cont
31	FP 1063.1 - Telecom	Alternating tone 800/970 Hz @ 2Hz	0 0 0 0 1	800 cont
32	Siren 2 way ramp (long)	500/1200Hz 3 sec rising / 3 sec falling	0 0 0 0 0	800 cont