

New Beacon Series T & U

*Your Signalling
Solution!*



Beacon Series „T“

LED steady/flashing beacons
LED multi strobe beacons
Steady beacons



Light/Beacons options	Type 1	Mounting options		Type 2	Complete product
LED steady/flashing beacon	TDC	horizontal mounting	internal mounting holes	TMW	any choice of Type 1 + Type 2
			external mounting holes	TMF	
LED multi strobe beacon	TDF	vertical mounting	lateral cable entry (cable gland)	TNL	
				TMV	
Steady beacon	TLL	pole mounting	alu tube/plastic foot	TMR	
			for NPT 1/2" pole mount	TNW	



TDC



TMW



TDC + TMW



TDF



TMF



TDF + TMF



TLL



GL



TMV



TLL + TMV



TMR



TDC + TMR



TNW

Accessories

TVS metal bracket

incl. cable gland M12x1,5 for vertical mounting of TMW horizontal base, allows cable entry form bottom-up



TVS



TMW



TDE piezo buzzer module

continuous or pulsing tone ~ 88-100 dB (A) in 1 m, volume infinitely adjustable, tone selection via DIP switch
Further details and product information in product category visual-audible!



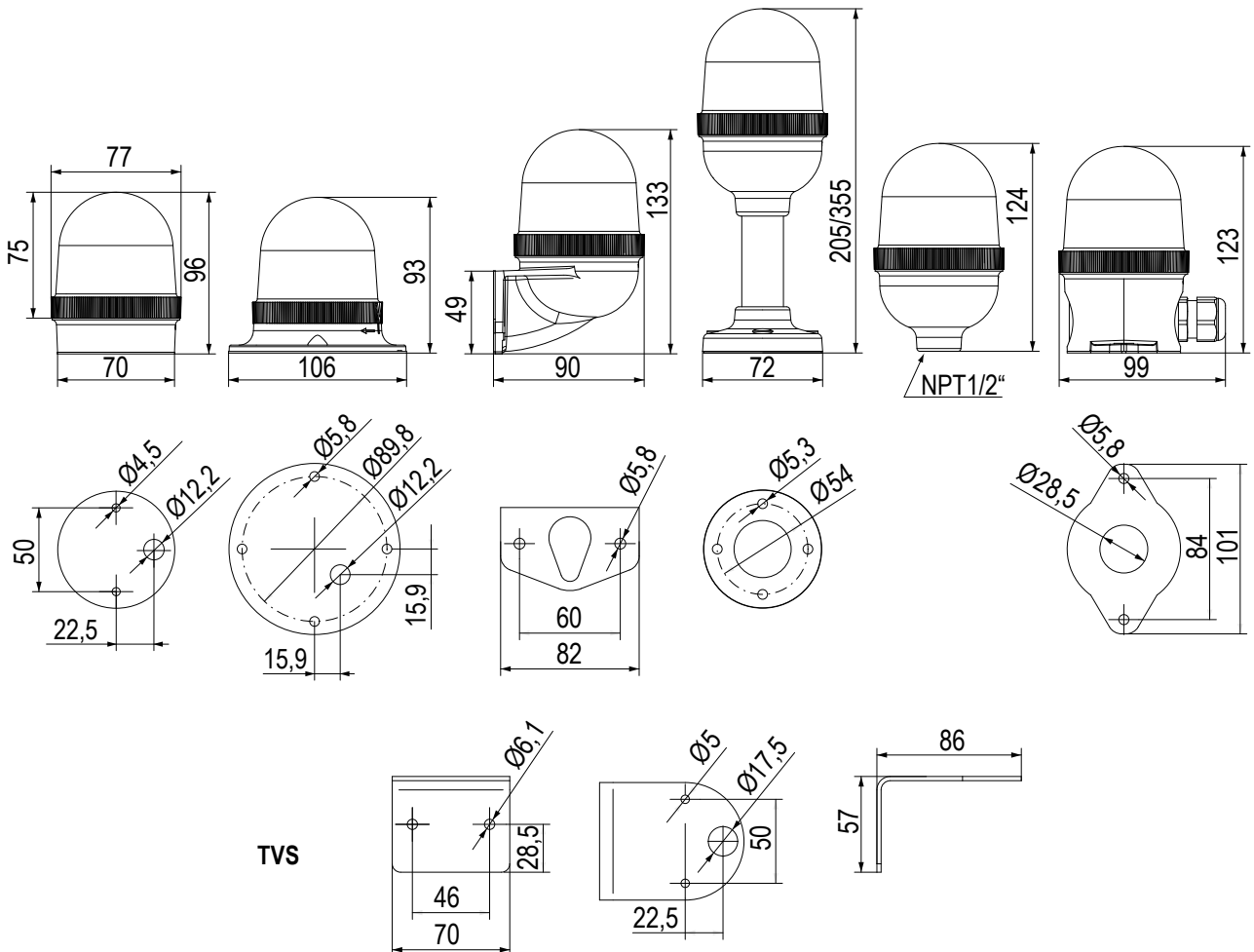
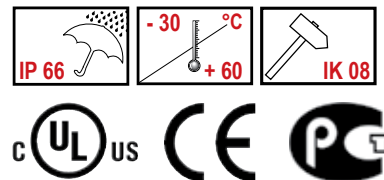
TDE





Features

- ▶ Ø 75 mm large comprehensive modular beacon range
- ▶ Modern, efficient and long life LED beacons in functions LED steady/flashing (externally addressable) and LED multi strobe
- ▶ Both strobe patterns (6 times fast strobe and multi strobe) externally addressable
- ▶ Steady beacon option with BA15d socket for 7 W incandescent bulb
- ▶ Comprehensive range of mounting options
- ▶ Optimized illumination/brightness and signalling effect
- ▶ Modular design with high ingress protection IP 66
- ▶ Optionally available protective vent for pressure balance in harsh weather conditions (humidity, high temperature fluctuations, etc.) for TMW, TMF, TNL
- ▶ Comfortable connection technique with high contact safety
- ▶ Lenses and housing made of high-resistant polycarbonates
- ▶ 6 lens colours
- ▶ For use in industrial/general applications
- ▶ Fit for plc applications (leakage, inrush current)
- ▶ UL type 4/4X/13 (except TNL and TMW+TVS)





Technical data

Type	TDC		TDF		TLL	
Housing, colour	Polycarbonate, black RAL 9005					
Lens	Polycarbonate					
Lens colour	amber, red, clear, blue, green, yellow					
Mounting	horizontal, vertical, pole mounting					
Duty cycle factor	100%					
Protection class	IP 66, UL type 4/4X/13					
Temperature range	-30 °C to +60 °C					
Type of light	LED steady/flashing		LED 6 times strobe/ LED multi strobe		steady incandescent	
Light emission	360 °					
Light source	integrated LEDs				incandescent bulb	
Life time (light source)	> 50.000 h				1.000-2.000 h	
Flashing/strobe frequency	2 Hz		6 time strobe 1 Hz / multi strobe		---	
Leakage						
Nominal current (A)	24 V AC/DC	0,140 DC/0,220 AC		max. 0,190 DC/max. 0,250 AC		max. 7 W
	110/120 V AC	0,072		0,042		max. 7 W
	230/240 V AC	0,066		0,042		max. 7 W
Terminals	screw terminal				screw terminal	
Weight (g)	87		86		75	

Type	TMW	TMF	TNL	TMV	TMR	TNW
Housing, colour	Polycarbonate, black RAL 9005					
Mounting	horizontal internal mounting holes	horizontal external mounting holes	lateral cable entry (cable gland)	vertical mounting	pole mount alu tube/ plastic foot	pole mount for NPT 1/2" mount
Protection class (mounted)	IP 66, UL type 4/4X/13 (TNL type 1)					
Weight (g)	46	71	94	83	128/176	54



Order data

Type	Denomination	Light source	Nominal voltage (V)	Voltage range (V)	Nominal current (A)	Order No. Housing black
Light/Beacons options						
TDC	LED steady/flashing beacon	integrated LEDs	24 V AC/DC	20-32 V DC	0,140	859 50C 405
				18-27 V AC	0,220	
			110/120 V AC	75-132 V AC	0,072	859 50C 310
			230/240 V AC	150-264 V AC	0,066	859 50C 313
TDF	LED multi strobe beacon	integrated LEDs	24 V AC/DC	20-32 V DC	max. 0,190	859 51C 405
				18-27 V AC	max. 0,250	
			110/120 V AC	75-132 V AC	0,042	859 51C 310
			230/240 V AC	150-264 V AC	0,042	859 51C 313
TLL	Steady light beacon	incandescent bulb (not included)	up to 250 V AC/DC	---	max. 7 W	859 52C 900
Type	Denomination	Specification		Weight	Pole length	Order No. black
Mounting options/Bases						
TMW		with internal mounting holes				859 500 900
TMF	Base for horizontal mounting	with external mounting holes				859 510 900
TNL		lateral cable entry				859 515 900
TMV	Base for vertical mounting					859 520 900
TMR	Pole mounting	aluminium tube with plastic foot			100 mm	859 532 900
					250 mm	859 533 900
TNW	Pole mounting	for NPT 1/2" mount				859 540 900



Accessories

Type	Denomination		Order No.
TVS	Metal bracket kit	for TMW incl. cable gland M12x1,5	859 550 900
XWR	Bracket for pole mount base with plastic foot		900 600 900
PV1	Protective vent	optionally for bases type TMW, TMF, TNL	859 100 000
Type	Denomination	Nominal voltage (V)	Order No.
GL01	Incandescent bulb BA 15 d	12 V, 5 W	890 010 904
GL02		24 V, 6,5 W	890 010 905
GL03		48 V, 5 W	890 010 908
GL04		60 V, 7 W	890 010 909
GL05		110/120 V, 7 W	890 010 910
GL06		230/240 V, 6 W	890 010 913

Colour code for lens C

1	amber	5	blue
2	red	6	green
4	clear	7	yellow

Beacon Series „U“

LED steady/flashing beacons
 LED multi strobe beacons
 Steady beacons



Light/Beacons options	Type 1	Mounting options		Type 2	Complete product
LED steady/flashing beacon	UDC + UDF	horizontal mounting	internal mounting holes	UMW	any choice of Type 1 + Type 2
			external mounting holes	UMF	
LED multi strobe beacon		vertical mounting	lateral cable entry (cable gland)	UNL	
				UMV	
Steady beacon	ULL	pole mounting	alu tube/plastic foot	UMR	
			for NPT 1/2" pole mount	UNW	



UDC



UMW



UDC + UMW



UDF



UMF



UDF + UMF



ULL



GL



UMV



ULL + UMV



UMR



UDC + UMR



UNW



UNL



UDC + UNL

Accessories

- UVS** metal bracket
 incl. cable gland M12x1,5 for vertical mounting of UMW
 horizontal base,
 allows cable entry form bottom-up



UVS



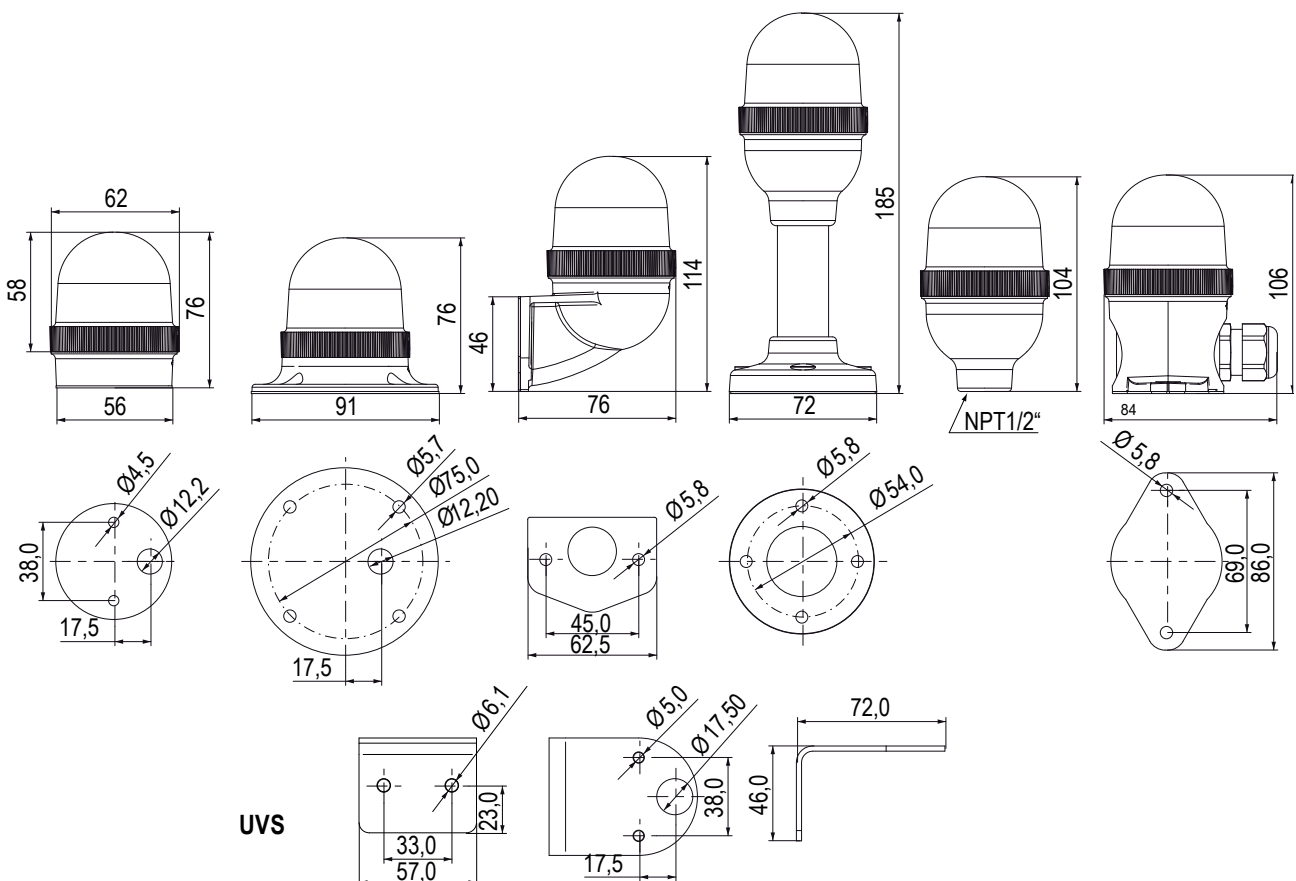
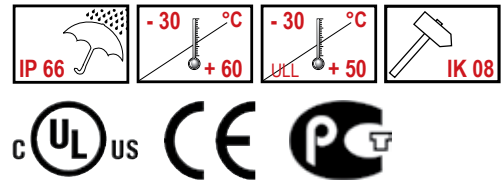
UMW





Features

- ▶ Ø 60 mm large comprehensive modular beacon range
- ▶ Modern, efficient and long life LED beacons in functions LED steady/flashing (externally addressable) and LED multi strobe
- ▶ Both strobe patterns (6 times fast strobe and multi strobe) externally addressable
- ▶ Steady beacon option with BA15d socket for incandescent bulb
- ▶ Comprehensive range of mounting options
- ▶ Optimized illumination/brightness and signalling effect
- ▶ Modular design with high ingress protection IP 66
- ▶ Optionally available protective vent for pressure balance in harsh weather conditions (humidity, high temperature fluctuations, etc.) for UMW, UMF, UNL
- ▶ Comfortable connection technique with high contact safety
- ▶ Lenses and housing made of high-resistant polycarbonates
- ▶ 6 lens colours
- ▶ For use in industrial/general applications
- ▶ Fit for plc applications (leakage, inrush current)
- ▶ UL type 4/4X/13 (except UNL and UMW+UVS)





Technical data

Type	UDC		UDF		ULL	
Housing, colour	Polycarbonate, black RAL 9005					
Lens	Polycarbonate					
Lens colour	amber, red, clear, blue, green, yellow					
Mounting	horizontal, vertical, pole mounting					
Duty cycle factor	100%					
Protection class	IP 66, UL type 4/4X/13					
Temperature range	-30 °C to +60 °C		-30 °C to +60 °C		-30 °C to +50 °C (7 W)	
Type of light	LED steady/flashing		LED 6 times strobe/ LED multi strobe		steady incandescent	
Light emission	360 °					
Light source	integrated LEDs				incandescent bulb	
Life time (light source)	> 50.000 h				1.000-2.000 h	
Flashing/strobe frequency	2 Hz		6 time strobe 1 Hz / multi strobe		---	
Leakage						
Nominal current (A)	24 V AC/DC	0,100 DC/0,100 AC		max. 0,120 DC/max. 120 AC		max. 7 W
	110/120 V AC	0,045		0,033		max. 7 W
	230/240 V AC	0,045		0,033		max. 7 W
Terminals	spring clamp terminal with lever				push-in spring clamp terminal	
Weight (g)	52		52		50	

Type	UMW	UMF	UNL	UMV	UMR	UNW
Housing, colour	Polycarbonate, black RAL 9005					
Mounting	horizontal internal mounting holes	horizontal external mounting holes	lateral cable entry (cable gland)	vertical (wall mounting)	pole mount aluminium tube, plastic foot	pole mount for NPT 1/2" mount
Protection class (mounted)	IP 66, UL type 4/4X/13 (UNL type 1)					
Weight (g)	27	49	67	55	107/157	33



Order data

Type	Denomination	Light source	Nominal voltage (V)	Voltage range (V)	Nominal current (A)	Order No. Housing black
Light/Beacons options						
UDC	LED steady/flashing beacon	integrated LEDs	24 V AC/DC	20-32 V DC	0,100	858 50C 405
				18-27 V AC	0,100	
			110/120 V AC	75-132 V AC	0,045	858 50C 310
			230/240 V AC	150-264 V AC	0,045	858 50C 313
UDF	LED multi strobe beacon	integrated LEDs	24 V AC/DC	20-32 V DC	max 0,120	858 51C 405
				18-27 V AC	max 0,120	
			110/120 V AC	75-132 V AC	0,033	858 51C 310
			230/240 V AC	150-264 V AC	0,033	858 51C 313
ULL	Steady light beacon	incandescent bulb (not included)	up to 250 V AC/DC	---	max. 7 W	858 52C 900
Type	Denomination	Specification		Weight	Pole length	Order No. black
Mounting options/Bases						
UMW		with internal mounting holes				858 500 900
UMF	Base for horizontal mounting	with external mounting holes				858 510 900
UNL		lateral cable entry				858 515 900
UMV	Base for vertical mounting					858 520 900
UMR	Pole mounting	aluminium tube with plastic foot			100 mm	858 532 900
					250 mm	858 533 900
UNW	Pole mounting	for NPT 1/2" mount				858 540 900



Accessories

Type	Denomination		Order No.
UVS	Metal bracket kit	for UMW incl. cable gland M12x1,5	858 550 900
XWR	Bracket for pole mount base with plastic foot		900 600 900
PV1	Protective vent	optionally only in connection with bases type UMW, UMF, UNL	859 100 000
Type	Denomination	Nominal voltage (V)	Order No.
GL01	Incandescent bulb BA 15 d	12 V, 5 W	890 010 904
GL02		24 V, 6,5 W	890 010 905
GL03		48 V, 5 W	890 010 908
GL04		60 V, 7 W	890 010 909
GL05		110/120 V, 7 W	890 010 910
GL06		230/240 V, 6 W	890 010 913

Colour code for lens

1	amber	5	blue
2	red	6	green
4	clear	7	yellow

Panel Mount Beacons Ø 37 mm - Series „T“

Panel Mount Beacons Ø 37 mm - Series „U“

LED steady/flashing beacons
LED multi strobe beacons
Steady beacons



Ø 75 mm

Ø 60 mm

Model Overview	Type Ø 75 mm	Type Ø 60 mm
Panel mount LED steady/flashing beacon	TDCP	UDCP
Panel mount LED multi strobe beacon	TDFP	UDFP
Panel mount steady beacon	TLLP	ULLP

Features

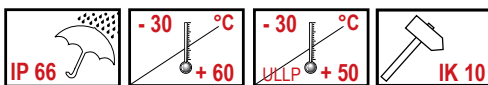
- ▶ Ø 75 mm and Ø 60 mm large panel mount beacon, panel size Ø 37 mm (PG29)
- ▶ Vandal and tamper-proof design suitable for any mechanical and environmental requirements
- ▶ High impact resistant lens (20 J) - IK 10
- ▶ Modern, efficient and long life LED beacons in functions
 - LED steady/flashing (externally addressable)
 - LED multi strobe
 - both strobe patterns (6 times fast LED strobe and LED multi strobe) externally addressable
 - optionally steady beacon for incandescent bulbs
- ▶ Easy bulb change due to access via bayonet detachable insert with BA15d socket for incandescent bulbs (TLLP/ULLP)
- ▶ Optimized illumination/brightness and signalling effect
- ▶ High ingress protection IP66
- ▶ Comfortable connection technique with high contact safety
- ▶ Lenses and housing made of high-resistant polycarbonates
- ▶ 6 lens colours
- ▶ For use in industrial/general applications
- ▶ Fit for plc applications (leakage, inrush current)
- ▶ UL type 4/4X/13

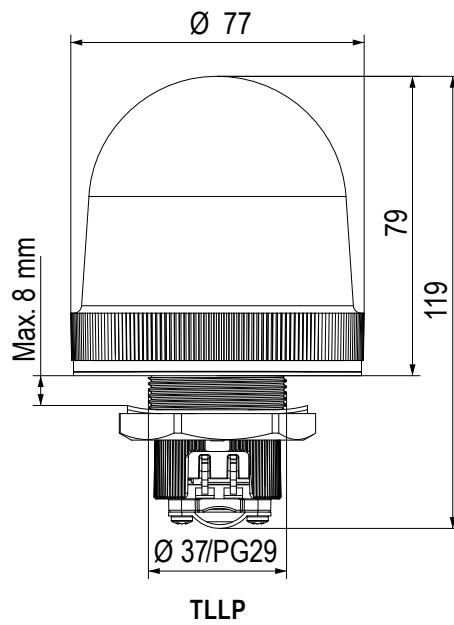
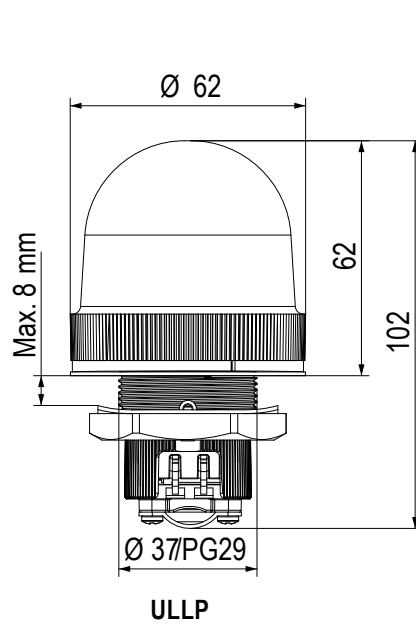
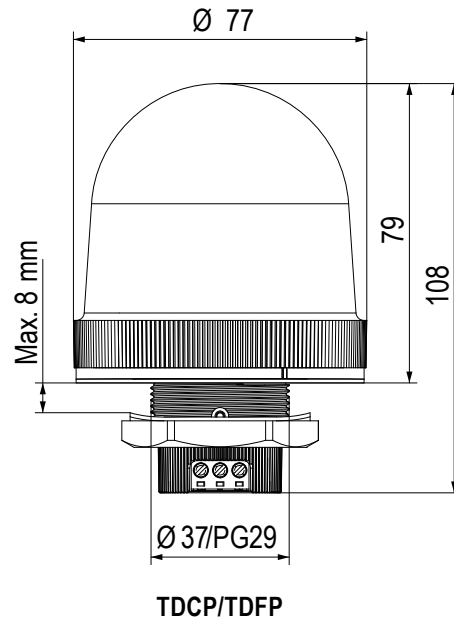
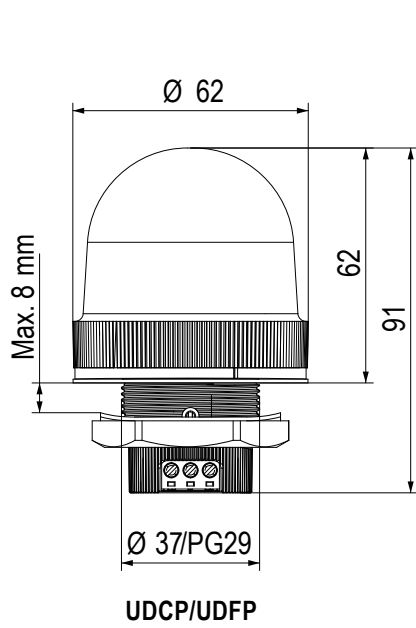


Easy bulb change due to rear access via bayonet detachable insert with BA15d socket for incandescent bulbs; clamping yoke terminal technique for high contact safety

Mode selection for LED steady/flashing/multi strobe models

La	N	Lb	Type
X	X		LED steady light
X	X	X	LED flashing light
X	X		LED 6 time fast strobe
X	X	X	LED multi strobe





Panel Mount Beacons Ø 37 mm - Series „T“
Panel Mount Beacons Ø 37 mm - Series „U“

LED steady/flashing beacons
 LED multi strobe beacons
 Steady beacons



Technical data

Type	TDCP	TDFP	TLLP	UDCP	UDFP	ULLP	
Size Ø mm	75 mm			60 mm			
Housing, colour	Polycarbonate, black RAL 9005						
Lens	Polycarbonate						
Lens colour	amber, red, clear, blue, green, yellow						
Mounting	PG 29 - for bore holes Ø 37 mm						
Terminals	screw type		clamping yoke with lever	screw type		clamping yoke with lever	
Duty cycle factor	100%						
Protection class	IP 66, UL type 4/4X/13						
Temperature range	-30 °C to +60 °C					-30 °C to +50 °C	
Type of light	LED steady/flashing	LED 6 times strobe/ LED multi strobe	steady incandescent	LED steady/flashing	LED 6 times strobe/ LED multi strobe	steady incandescent	
Light emission	360 °						
Light source	integrated LEDs		incandescent bulb	integrated LEDs		incandescent bulb	
Life time (light source)	> 50.000 h		1.000-2.000 h	> 50.000 h		1.000-2.000 h	
Flashing/strobe frequency	2 Hz	6 time strobe 1 Hz / multi strobe	---	2 Hz	6 time strobe 1 Hz / multi strobe	---	
Leakage							
Nominal current (A)	24 V AC/DC	0,140 DC 0,220 AC	max. 0,190 DC max. 0,250 AC	max. 7 W	0,100 DC 0,100 AC	max. 0,120 DC max. 0,120 AC	max. 7 W
	110/120 V AC	0,072	0,042	max. 7 W	0,045	0,033	max. 7 W
	230/240 V AC	0,066	0,042	max. 7 W	0,045	0,033	max. 7 W
Weight (g)	149	148	85	103	103	74	



Order data

Type	Denomination	Light source	Nominal voltage (V)	Voltage range (V)	Nominal current (A)	Order No. Housing black
Light/Beacons options Ø 75 mm						
TDCP	LED steady/flashing beacon	integrated LEDs	24 V AC/DC	20-32 V DC	0,140	859 57C 405
				18-27 V AC	0,220	
			110/120 V AC	75-132 V AC	0,072	859 57C 310
			230/240 V AC	150-264 V AC	0,066	859 57C 313
TDFP	LED multi strobe beacon	integrated LEDs	24 V AC/DC	20-32 V DC	max. 0,190	859 58C 405
				18-27 V AC	max. 0,250	
			110/120 V AC	75-132 V AC	0,042	859 58C 310
			230/240 V AC	150-264 V AC	0,042	859 58C 313
TLLP	Steady light beacon	incandescent bulb (not included)	up to 250 V AC/DC	---	max. 7 W	859 59C 900
Light/Beacons options Ø 60 mm						
UDCP	LED steady/flashing beacon	integrated LEDs	24 V AC/DC	20-32 V DC	0,100	858 57C 405
				18-27 V AC	0,100	
			110/120 V AC	75-132 V AC	0,045	858 57C 310
			230/240 V AC	150-264 V AC	0,045	858 57C 313
UDFP	LED multi strobe beacon	integrated LEDs	24 V AC/DC	20-32 V DC	max. 0,120	858 58C 405
				18-27 V AC	max. 0,120	
			110/120 V AC	75-132 V AC	0,033	858 58C 310
			230/240 V AC	150-264 V AC	0,033	858 58C 313
ULLP	Steady light beacon	incandescent bulb (not included)	up to 250 V AC/DC	---	max. 7 W	858 59C 900



Accessories

Type	Denomination	Nominal voltage (V)	Order No.
Incandescent bulb for Ø 75 mm and Ø 60 models (TLLP, ULLP)			
GL01	Incandescent bulb BA 15 d	12 V, 5 W	890 010 904
GL02		24 V, 6,5 W	890 010 905
GL03		48 V, 5 W	890 010 908
GL04		60 V, 7 W	890 010 909
GL05		110/120 V, 7 W	890 010 910
GL06		230/240 V, 6 W	890 010 913

Colour code for lens

1	amber	5	blue
2	red	6	green
4	clear	7	yellow

Beacon-Buzzer Series „T“

LED steady/flashing beacon-buzzer combinations
 LED multi strobe beacon-buzzer combinations
 Steady beacon-buzzer combinations



Light/Beacons options	Type 1	Sound option	Type 2	Mounting options		Type 3	Complete product	
LED steady/flashing beacon	TDC	Piezo buzzer (continuous or pulsing tone)	TDE	horizontal mounting	internal mounting holes	TMW	Type 1 + Type 3 + Type 2 in matching voltage of Type 1	
LED multi strobe beacon	TDF				external mounting holes	TMF		
Steady beacon	TLL			lateral cable entry (cable gland)	TNL			
		vertical mounting	TMV					
		pole mounting	alu tube/plastic foot		TMR			
			for NPT 1/2" pole mount		TNW			



TDC



TDF



TLL



GL



TDE



TMW



TMF



TMV



TMR



TNW



TNL



TDC+TDE+TMW



TDF+TDE+TMF



TLL+TDE+TMV



TDC+TDE+TMR

Accessories

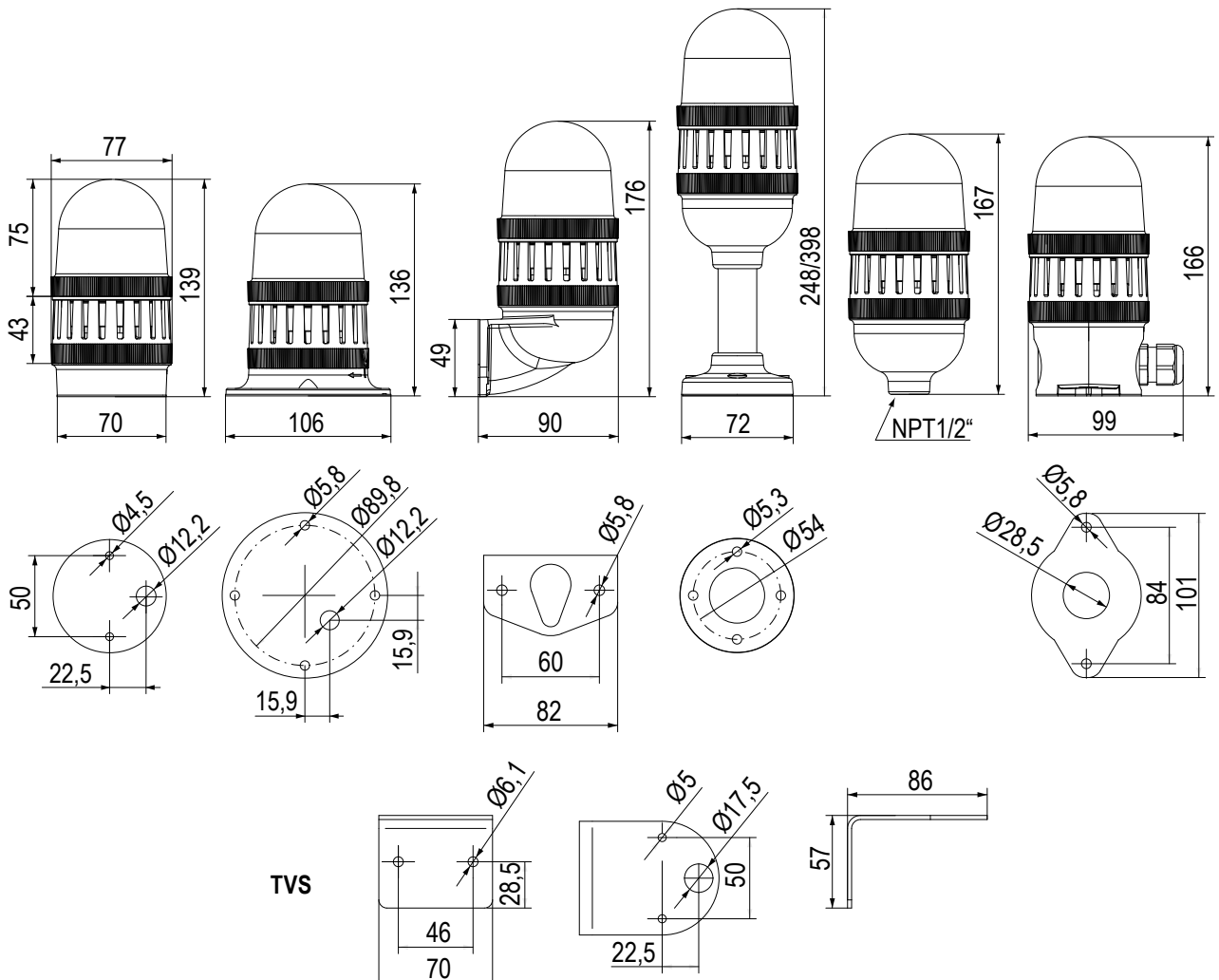
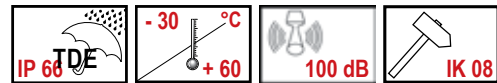
TVS metal bracket

incl. cable gland M12x1,5 for vertical mounting of TMW
 horizontal base
 allows cable entry form bottom-up



Features

- ▶ Ø 75mm large comprehensive modular beacon-buzzer range
- ▶ Modern, efficient and long life LED beacons in functions LED steady/flashing (externally addressable) and LED multi strobe
- ▶ Both strobe patterns (6 times fast strobe and multi strobe) externally addressable)
- ▶ Steady beacon option with base-integrated BA15d socket for 7 W incandescent bulb
- ▶ Piezo buzzer module, ~88-100 dB (A) in 1 m, volume infinitely adjustable (potentiometer), continuous or pulsing tone selectable via DIP switch
- ▶ Comprehensive range of mounting options
- ▶ Optimized illumination/brightness and signaling effect combined with well audible buzzer
- ▶ High ingress protection IP66
- ▶ Optionally available protective vent for pressure balance in harsh weather conditions (humidity, high temperature fluctuations, etc.) for TMW, TMF, TNL
- ▶ Modular design
- ▶ Comfortable connection technique with high contact safety
- ▶ lenses and housing made of high-resistant polycarbonates
- ▶ 6 lens colours
- ▶ For use in industrial/general applications
- ▶ Fit for plc applications (leakage, inrush current)
- ▶ UL type 4/4X/13 (except TNL and TMW+TVS)





Technical data

Type	TDC	TDF	TLL	TDE	
Housing, colour	Polycarbonate, black RAL 9005				
Lens	Polycarbonate				
Lens colour	amber, red, clear, blue, green, yellow			---	
Mounting	horizontal, vertical, pole mounting				
Duty cycle factor	100%				
Protection class	IP 66, UL type 4/4X/13				
Temperature range	-30 °C to +60 °C				
Type of light	LED steady/flashing	LED 6 times strobe/ LED multi strobe	steady incandescent	---	
Light emission	360 °			---	
Light source	integrated LEDs		incandescent bulb	---	
Life time (light source)	> 50.000 h		1.000-2.000 h	---	
Flashing/strobe frequency	2 Hz	6 time strobe 1 Hz / multi strobe	---	---	
Tone type	---	---	---	continuous or pulsing (DIP switch)	
Tone frequency	---	---	---	2.800 Hz	
Volume	---	---	---	100 dB	
Leakage	> 3 mA				
Nominal current (A)	24 V AC/DC	0,140 DC/ 0,220 AC	max. 0,190 DC/max. 0,250 AC	max. 7 W	0,030 DC/ 0,048 AC
	110/120 V AC	0,072	0,042	max. 7 W	0,040
	230/240 V AC	0,066	0,042	max. 7 W	0,040
Terminals	screw terminal		screw terminal		
Weight (g)	87	86	75	128	

Type	TMW	TMF	TNL	TMV	TMR	TNW
Housing, colour	Polycarbonate, black RAL 9005					
Mounting	horizontal internal mounting holes	horizontal external mounting holes	lateral cable entry (cable gland)	vertical (wall mounting)	pole mount aluminium tube, plastic foot	pole mount for NPT 1/2" mount
Protection class (mounted)	IP 66, UL type 4/4X/13 (TNL type 1)					
Weight (g)	46	71	94	83	128/176	54



Order data

Type	Denomination	Light source	Nominal voltage (V)	Voltage range (V)	Nominal current (A)	Order No. Housing black
Light/Beacons options						
TDC	LED steady/flashing beacon	integrated LEDs	24 V AC/DC	20-32 V DC	0,140	859 50C 405
				18-27 V AC	0,220	
			110/120 V AC	75-132 V AC	0,072	859 50C 310
			230/240 V AC	150-264 V AC	0,066	859 50C 313
TDF	LED multi strobe beacon	integrated LEDs	24 V AC/DC	20-32 V DC	max. 0,190	859 51C 405
				18-27 V AC	max. 0,250	
			110/120 V AC	75-132 V AC	0,042	859 51C 310
			230/240 V AC	150-264 V AC	0,042	859 51C 313
TLL	Steady light beacon	incandescent bulb (not included)	up to 250 V AC/DC	---	max. 7 W	859 52C 900
Sound options						
TDE	Buzzer module	continuous or pulsing tone ~ 100 dB (A) in 1 m	24 V AC/DC	20-32 V DC	0,030	859 560 405
				18-27 V AC	0,048	
			110/120 V AC	75-132 V AC	0,040	859 560 310
			230/240 V AC	150-264 V AC	0,040	859 560 313
Type	Denomination	Specification	Weight	Pole length	Order No.	
Mounting options/Bases						
TMW		with internal mounting holes			859 500 900	
TMF	Base for horizontal mounting	with external mounting holes			859 510 900	
TNL		lateral cable entry			859 515 900	
TMV	Base for vertical mounting				859 520 900	
TMR	Pole mounting	aluminium tube with plastic foot		100 mm	859 532 900	
				250 mm	859 533 900	
TNW	Pole mounting	for NPT 1/2" mount			859 540 900	



Accessories

Type	Denomination	Order No.	
TVS	Metal bracket kit	859 550 900	
XWR	Bracket for pole mount base with plastic foot	900 600 900	
PV1	Protective vent	859 100 000	
		optionally for bases type TMW, TMF, TNL	
Type	Denomination	Nominal voltage (V)	Order No.
GL01	Incandescent bulb BA 15 d	12 V, 5 W	890 010 904
GL02		24 V, 6,5 W	890 010 905
GL03		48 V, 5 W	890 010 908
GL04		60 V, 7 W	890 010 909
GL05		110/120 V, 7 W	890 010 910
GL06		230/240 V, 6 W	890 010 913

Colour code for lens

amber	C	blue
red		green
clear		yellow

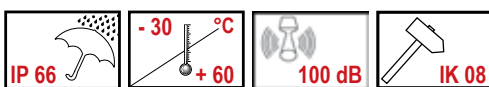
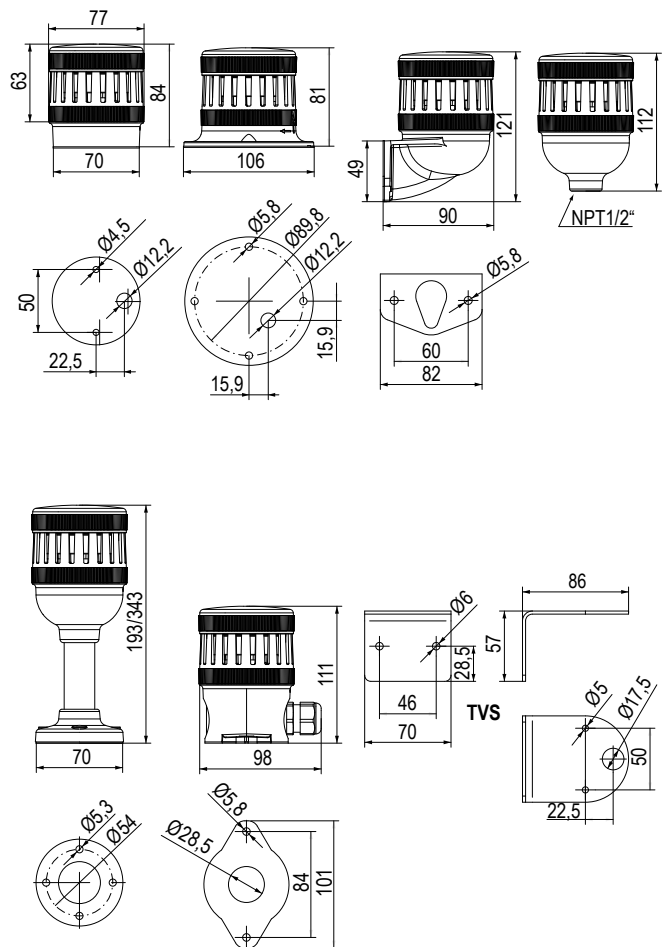
C

Piezo Buzzer Series „T“



Features

- ▶ Piezo buzzer module of the Ø 75 mm large beacons series „T“ for single audible applications
- ▶ Comprehensive selection of mounting options
- ▶ ~ 88-100 dB (A) in 1 m, volume infinitely adjustable (potentiometer)
- ▶ Continuous or pulsing tone selectable by DIP switch
- ▶ High protection class IP66
- ▶ The cover for buzzer module TDK has to be ordered together with the buzzer module TDE itself and a preferred base for the correct mounting of the complete audible device
- ▶ Optionally available protective vent for pressure balance in harsh weather conditions (humidity, high temperature fluctuations, etc.) for TMW, TMF, TNL
- ▶ Comfortable connection technique with high contact safety
- ▶ Housing made of impact resistant polycarbonate
- ▶ For industrial/general applications
- ▶ Fit for plc applications (leakage, inrush current)
- ▶ UL type 4/4X/13 (except TNL and TMW+TVS)





Technical Data

Type		TDE
Housing, colour		Polycarbonate, black RAL 9005
Mounting		horizontal, vertical, pole mounting
Duty cycle factor		100%
Protection class		IP 66, UL type 4/4X/13
Temperature range		-30 °C to +60 °C
Tone type		continuous or pulsing (DIP switch) volume adjustable via potentiometer
Tone frequency		2.800 Hz
Volume		100 dB
Leakage		> 3 mA
Nominal current (A)	24 V AC/DC	0,030 DC/0,048 AC
	110/120 V AC	0,040
	230/240 V AC	0,040
Terminals		screw terminal
Weight (g)		128

Type	TMW	TMF	TNL	TMV	TMR	TNW
Housing, colour	Polycarbonate, black RAL 9005					
Mounting	horizontal internal mounting holes	horizontal external mounting holes	lateral cable entry (cable gland)	vertical (wall mounting)	pole mount aluminium tube, plastic foot	pole mount for NPT 1/2" mount
Protection class (mounted)	IP 66, UL type 4/4X/13 (TNL type 1)					
Weight (g)	46	71	94	83	128/176	54



Order Data

Type	Denomination		Nominal voltage (V)	Voltage range (V)	Nominal current (A)	Order No. Housing black
TDE	Buzzer module	continuous or pulsing tone ~ 100 dB (A) in 1 m	24 V AC/DC	20-32 V DC	0,030	859 560 405
				18-27 V AC	0,048	
			110/120 V AC	75-132 V AC	0,040	859 560 310
			230/240 V AC	150-264 V AC	0,040	859 560 313
TDK	Cover for buzzer module TDE	Cover is required for operation and has to be ordered separately				859 560 000

Type	Denomination	Specification	Weight	Pole length	Order No.
Mounting options/Bases					
TMW	Base for horizontal mounting	with internal mounting holes			859 500 900
TMF		with external mounting holes			859 510 900
TNL		lateral cable entry			859 515 900
TMV	Base for vertical mounting				859 520 900
TMR	Pole mounting	aluminium tube with plastic foot		100 mm	859 532 900
				250 mm	859 533 900
TNW	Pole mounting	for NPT 1/2" mount			859 540 900



Accessories

Type	Denomination		Order No.
PV1	Protective vent	optionally for bases type TMW, TMF, TNL	859 100 000
TVS	Metal bracket kit	for TMW incl. cable gland M12x1,5	859 550 900

*Your Signalling
Solution!*

For more product information
please visit our website!

**HEADQUARTERS
J.AUER – FABRIK ELEKTRISCHER
MASCHINEN Ges.m.b.H.**

Perfektastrasse 102
1230 Vienna / AUSTRIA
Tel. +43 (0)1 813 82 20
Fax +43 (0)1 815 99 51
office@auer-signal.com
www.auer-signal.com

Distributor:

