

# Beacon Series „P“

LED steady/flashing/multi strobe beacons  
 LED multi colour beacons  
 Xenon strobe beacons



Model Overviews	Ø 75 mm high lens	Ø 75 mm low lens
LED steady/flashing beacon	PCH	PCL
LED multi strobe beacon	PFH	PFL
LED multi colour beacon red-yellow-green	PMH	---
Xenon strobe beacon	PXH	PXL

### Features

- Ø 75 mm large compact and brilliant beacon range
- High ingress protection IP 66/67
- Prewired with 1 m cable with PUR-jacket (except PHM), open ends, ready to use
- Premounted stainless fixation screws
- Customized cable lengths/specifications possible
- Complete offering of beacons with modern LED technique (long lifetime, low current consumption, vibration-proof)
- LED multi strobe beacon with 2 LED strobe patterns (LED 6-times strobe/LED multi strobe), externally switchable
- LED multi colour beacon red-yellow-green with LED steady light and clear lens. Each colour can be externally switched via the terminal
- Models with high and low lens
- Xenon strobe models with voltage range 10-100 V DC / 20-70 V AC
- Mounting options horizontal (standard), vertical and pole mounting (accessory)
- Lens and base components made of high impact resistant polycarbonate
- Excellent price/performance ratio
- For use in industrial/process/general applications
- Fit for plc applications (leakage, inrush current)

### Mounting options

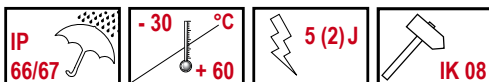
- **Horizontal mounting**  
(standard)

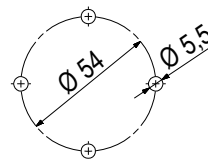
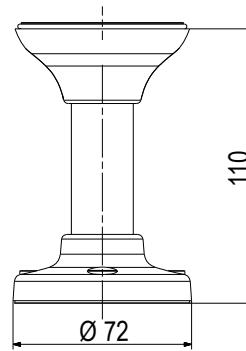
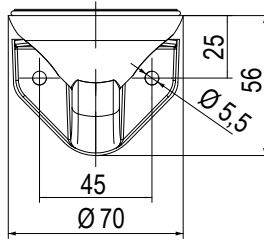
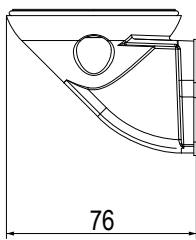
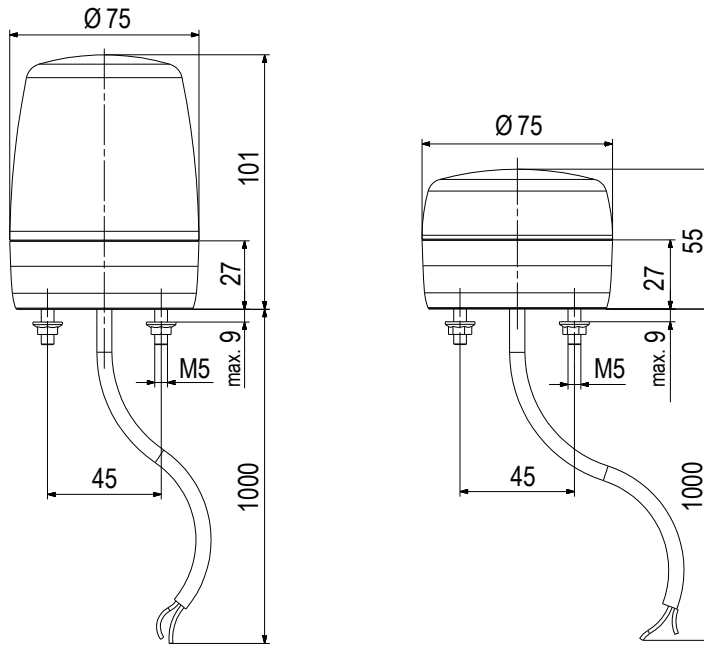


- **Vertical mounting**  
Accessory: plastic bracket (PVW)



- **Pole mounting**  
Accessory: Pole mounting (PMR)







## Technical data

Type	PCH	PCL	PFH	PFL	PMH	PXH	PXL	
Housing, colour	Polycarbonate, black RAL 9005							
Lens	Polycarbonate							
Lens colour	amber, red, clear, blue, green, yellow					clear	amber, red, clear, blue, green, yellow	
Cable entry	precabled with 1 m cable, open ends							
Mounting	horizontal (premounted stainless fixation screws) vertical or pole mounting (accessory)							
Duty cycle factor	100%							
Protection class	IP 66/67							
Temperature range	-30 °C to +60 °C							
Type of light	LED steady/flashing		LED 6 time strobe/multi strobe		LED multi colour red-yellow-green	Xenon strobe		
Light emission	360 °							
Light source	integrated LEDs					Xenon tube		
Life time (light source)	> 50.000 h					~ 5 mio. flashes		
Flashing/strobe frequency	~ 2 Hz		6 time strobe 1 Hz / multi strobe		---	~ 1,4 Hz		
Strobe energy	---					5 J	2 J	
Leakage	0,003 A							
Nominal current (A)	24 V AC/DC	0,225	0,060	0,285	0,155	0,120	---	---
	110/120 V AC	0,062	0,030	0,042	0,045	0,065	0,100	0,075
	230/240 V AC	0,066	0,031	0,044	0,045	0,065	0,055	0,045
	10-100 V DC/20-70 V AC	---	---	---	---	---	0,260	0,250
Weight (g)	200	150	200	150	200	220	170	



## Order data

Type	Denomination	Light source	Nominal voltage (V)	Voltage range (V)	Nominal current (A)	Order No. Housing black
<b>Models with high lens</b>						
PCH	LED steady/flashing beacon	integrated LEDs	24 V AC/DC	20-35 V DC 18-28 V AC	0,225	860 50C 405
			110/120 V AC	80-132 V AC		
			230/240 V AC	140-264 V AC	0,066	860 50C 313
PFH	LED multi strobe beacon	integrated LEDs	24 V AC/DC	20-35 V DC 16-28 V AC	0,285	860 51C 405
			110/120 V AC	85-132 V AC		
			230/240 V AC	140-264 V AC	0,044	860 51C 313
PMH	LED multi colour beacon red-yellow-green	integrated LEDs	24 V AC/DC	21-35 V DC 16-28 V AC	0,120	860 550 405
			110/120 V AC	75-132 V AC		
			230/240 V AC	140-264 V AC	0,065	860 550 313
PXH	Xenon strobe beacon	5 J Xenon tube	110/120 V AC	95-132 V AC	0,100	860 52C 310
			230/240 V AC	180-264 V AC	0,055	860 52C 313
			10-100 V DC	10-100 V DC	0,260	860 52C 410
			20-70 V AC	20-70 V AC		
<b>Models with low lens</b>						
PCL	LED steady/flashing beacon	integrated LEDs	24 V AC/DC	+/- 10 %	0,060	861 50C 405
			110/120 V AC		0,030	861 50C 310
			230/240 V AC		0,031	861 50C 313
PFL	LED multi strobe beacon	integrated LEDs	24 V AC/DC	+/- 10 %	0,155	861 51C 405
			110/120 V AC		0,045	861 51C 310
			230/240 V AC		0,045	861 51C 313
PXL	Xenon strobe beacon	2 J Xenon tube	110/120 V AC	85-132 V AC	0,075	861 52C 310
			230/240 V AC	170-264 V AC	0,045	861 52C 313
			10-100 V DC	10-100 V DC	0,250	861 52C 410
			20-70 V AC	20-70 V AC		



## Accessories

Type	Denomination	Order No.
PVW	Bracket for vertical mounting	860 600 900
PMR	Pole mounting, 100 mm aluminium tube with plastic foot	860 702 900
	Pole mounting, 250 mm aluminium tube with plastic foot	860 703 900
XWR	Bracket for pole mount base with plastic foot	900 600 900

### Colour code for lens C

1	amber	5	blue
2	red	6	green
4	clear	7	yellow