

M22 Panel Mount Beacon Series „I“

LED steady/flashing beacon IBL-IBM-IBS
 LED strobe beacon ICL-ICM-ISS
 Xenon strobe beacons ISL-ISM
 LED multi colour beacon IDL-IDM-IDS, ITL-ITM-ITS, IML-IMM



Model Overview	Ø 65 mm	Ø 45 mm	Ø 30 mm
Models with terminal			
Panel mount LED steady/flashing beacons	IBL	IBM	IBS
Panel mount LED strobe beacons (2 strobe patterns*)	ICL*	ICM*	ISS
Panel mount LED multicolour steady beacons			
- 1 of 2 colours visible	IDL	IDM	IDS
- 1 or 2 colours visible	ITL	ITM	ITS
Panel mount xenon strobe beacons	ISL	ISM	
Models with cable			
Panel mount 3-colour LED steady beacons, externally switchable	IML	IMM	

Features

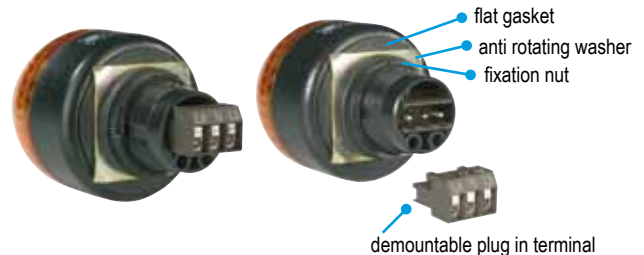
- Versatile usable panel mount beacon range for mounting in Ø 22,5 mm bore holes (adapter for 30,5 mm bore holes available)
- 3 dimensions (Ø 65, 45, 30 mm)
- Comprehensive product range M22 panel mount beacon with demountable plug in terminal or (individually) prewired
- Complete range of LED steady/flashing/strobe and multi colour models for versatile applications in the industry, enclosures, etc.
- Maintenance free, low current consumption, long life time, shock and vibration-proof
- Multi colour models in 6 LED colours individually selectable
- Housing and lenses made of impact resistant polycarbonate, housing colour black or grey
- PLC fit (leakage/inrush current)
- Particular lens pattern for optimum light dispersion
- Fastening tool for 30 mm models for difficult reachable positions available



* LED double strobe



LED 6-times strobe

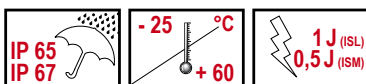


Demountable plug in terminal for easy electrical connection and comfortable mounting onto panel mount beacon

Selection LED steady/flashing/strobe light and colours

of LED multi colour beacons via terminal connection

La	N	Lb		
X	X		LED flashing light	IBL-IBM-IBS
X	X	X	LED steady light	IBL-IBM-IBS
X	X		LED strobe light	ISS
X	X		LED double strobe light	ICL-ICM
X	X	X	LED 6-times strobe light	ICL-ICM
X	X		LED steady light colour 1	IDL-IDM-IDS, ITL-ITM-ITS
	X	X	LED steady light colour 2	IDL-IDM-IDS, ITL-ITM-ITS
X	X	X	Steady light colour 1 + 2	ITL-ITM-ITS



model-specific





M22 Panel mount beacons with plug in terminal



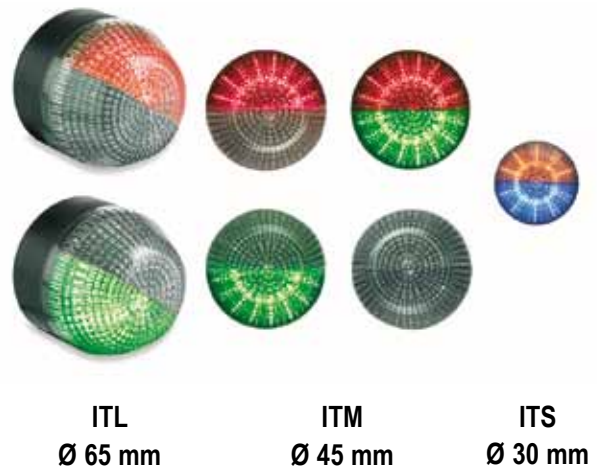
M22 Panel mount beacons in built-in condition



LED multi colour beacons
 1 of 2 colours visible (whole lens illuminated)



LED multi colour beacons
 2 separate colours visible (half lens illuminated)



M22 Panel mount beacons with sealed cable



M22 Panel mount 3-colour steady beacon



Features

- ▶ Panel mount beacons with sealed cable, protection class IP 67
- ▶ Individual cable lengths/specifications possible (minimum quantity requirements)
- ▶ For Ø 65 mm and Ø 45 mm models

Features

- ▶ 3 LED colours (red, yellow, green)
- ▶ Each colour externally switchable
- ▶ 2 dimensions: IML (Ø 65 mm), IMM (Ø 45 mm)
- ▶ Standard cable length 1 m

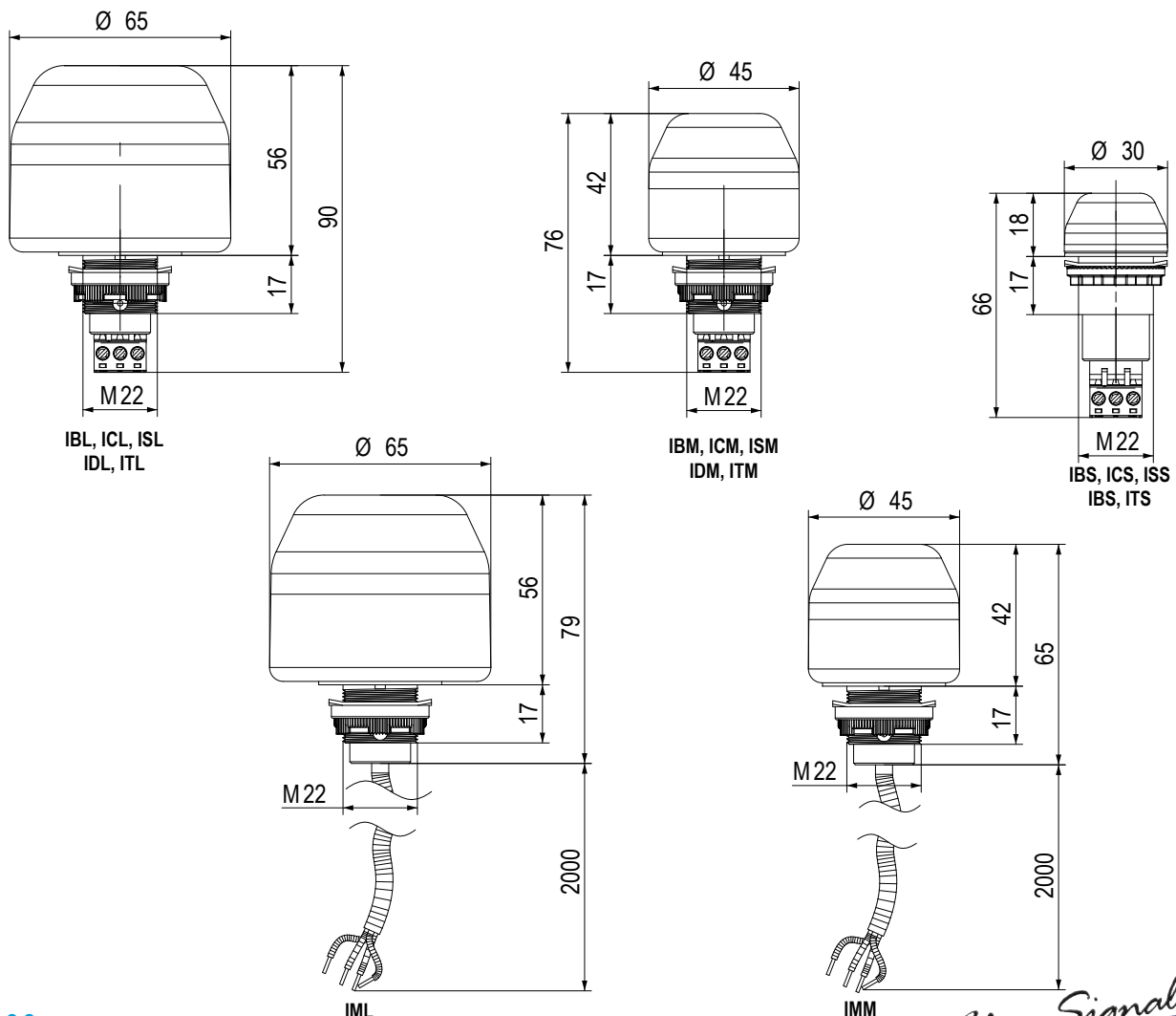
M22 Panel Mount Beacon Series „I“

LED steady/flashing beacon IBL-IBM-IBS
LED strobe beacon ICL-ICM-ISS
Xenon strobe beacons ISL-ISM
LED multi colour beacon IDL-IDM-IDS, ITL-ITM-ITS, IML-IMM



Technical data

Type	IBL	IBM	IBS	ICL	ICM	ISS	IDL	IDM	IDS	ITL	ITM	ITS	ISL	ISM	IML	IMM
Size Ø mm	65	45	30	65	45	30	65	45	30	65	45	30	65	45	65	45
Housing, colour	polycarbonate, grey RAL 7035 or black RAL 9005															
Lens, colour	polycarbonate, amber, red, clear, blue, green, yellow			polycarbonate, amber, red, clear, blue, green, yellow			polycarbonate, clear			polycarbonate, clear			polycarbonate, amber, red, clear, blue, green, yellow		polycarbonate, clear	
Mounting	M22 – for bore holes Ø 22,5 or 30,5 mm (with adapter)															
Light type	LED steady or flashing light			LED strobe light			LED steady beacon – 2 colours full lens illumination - 1 colour visible			LED steady beacon – half lens illumination – 2 colours visible			xenon strobe light		3 colours LED steady beacon	
Light source	LED												xenon tube		LED	
Strobe-/Flashing frequency	1 Hz												1,4 Hz		-	
Strobe energy													1 J	0,5 J	-	
Life time (Light source)	~ 100.000 h												min. 10 mio. flashes		~ 100.000 h	
Duty cycle factor	100 %															
Protection class	IP 65 / IP 67, UL type 4/4X/13															
Terminals	up to 2,5 mm ²															
Temperature range	-25 °C to +60 °C			-25 °C to +60 °C			-25 °C to +50 °C			-25 °C to +50 °C			-25 °C to +60 °C		-25 °C to +50 °C	
Weight (g)	75	55	30	75	55	30	75	55	30	77	56	31	85	65	117	97





Order data

Type	Nominal voltage (V)	Order No.		Nominal current (A)
		Housing grey	Housing black	
LED Steady/ Flashing beacons				
IBL	12 V AC/DC	802 10C 404	802 50C 404	0,080
	24 V AC/DC	802 10C 405	802 50C 405	0,060
	110/120 V AC	802 10C 310	802 50C 310	0,030
	230/240 V AC	802 10C 313	802 50C 313	0,031
IBM	12 V AC/DC	801 10C 404	801 50C 404	0,062
	24 V AC/DC	801 10C 405	801 50C 405	0,037
	110/120 V AC	801 10C 310	801 50C 310	0,030
	230/240 V AC	801 10C 313	801 50C 313	0,030
IBS	12 V AC/DC	800 10C 404	800 50C 404	0,045
	24 V AC/DC	800 10C 405	800 50C 405	0,026
	110/120 V AC	800 10C 310	800 50C 310	0,018
	230/240 V AC	800 10C 313	800 50C 313	0,019
LED strobe beacons				
ICL	24 V AC/DC	802 12C 405	802 52C 405	max. 0,155
	110/120 V AC	802 12C 310	802 52C 310	0,045
	230/240 V AC	802 12C 313	802 52C 313	0,045
ICM	24 V AC/DC	801 12C 405	801 52C 405	max. 0,110
	110/120 V AC	801 12C 310	801 52C 310	0,033
	230/240 V AC	801 12C 313	801 52C 313	0,033
ISS	12 V AC/DC	800 11C 404	800 51C 404	0,060
	24 V AC/DC	800 11C 405	800 51C 405	0,046
	110/120 V AC	800 11C 310	800 51C 310	0,018
	230/240 V AC	800 11C 313	800 51C 313	0,021
Xenon strobe beacons				
ISL	12-24 V AC/DC	802 11C 405	802 51C 405	0,150
	110/120 V AC	802 11C 310	802 51C 310	0,030
	230/240 V AC	802 11C 313	802 51C 313	0,020
ISM	12-24 V AC/DC	801 11C 405	801 51C 405	0,110
	110/120 V AC	801 11C 310	801 51C 310	0,020
	230/240 V AC	801 11C 313	801 51C 313	0,012

Voltage range: nominal voltage +/- 10%

Type	Nominal voltage (V)	Order No.		Nominal current (A)
		Housing grey	Housing black	
LED Multi colour beacons - 1 of 2 colours visible				
IDL	24 V AC/DC	802 2CC 405	802 6CC 405	0,071
	110/120 V AC	802 2CC 310	802 6CC 310	0,061
	230/240 V AC	802 2CC 313	802 6CC 313	0,061
IDM	24 V AC/DC	801 2CC 405	801 6CC 405	0,046
	110/120 V AC	801 2CC 310	801 6CC 310	0,035
	230/240 V AC	801 2CC 313	801 6CC 313	0,035
IDS	24 V AC/DC	800 2CC 405	800 6CC 405	0,028
LED Multi colour beacons - 2 separate colour areas visible				
ITL	24 V AC/DC	802 3CC 405	802 7CC 405	0,044
	110/120 V AC	802 3CC 310	802 7CC 310	0,041
	230/240 V AC	802 3CC 313	802 7CC 313	0,041
ITM	24 V AC/DC	801 3CC 405	801 7CC 405	0,039
	110/120 V AC	801 3CC 310	801 7CC 310	0,035
	230/240 V AC	801 3CC 313	801 7CC 313	0,034
ITS	24 V AC/DC	800 3CC 405	800 7CC 405	0,030
3-colour LED steady beacons - red-yellow-green				
IML	24 V AC/DC	802 150 405	802 550 405	max. 0,043
	110/120 V AC	802 150 310	802 550 310	0,033
	230/240 V AC	802 150 313	802 550 313	0,033
IMM	24 V AC/DC	801 150 405	801 550 405	max. 0,027

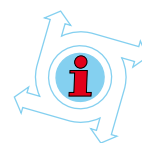


Accessories

Adapter M30,5	812 500 900
Fastening tool for 30 mm models	812 400 900

Colour code for lens

1	amber	5	blue
2	red	6	green
4	clear	7	yellow



NOTE

for models with separate colour area (ITL-ITM-ITS):



When beacon is correctly mounted (rear orientation notch is on the top position), the first colour code defines the colour in the upper beacon half and the second colour code defines the colour in the lower beacon half
Example: model ITM red-green, housing black, 24 V AC/DC

801 7CC 405	801 726 405	red-top / green-bottom
-------------	-------------	------------------------